

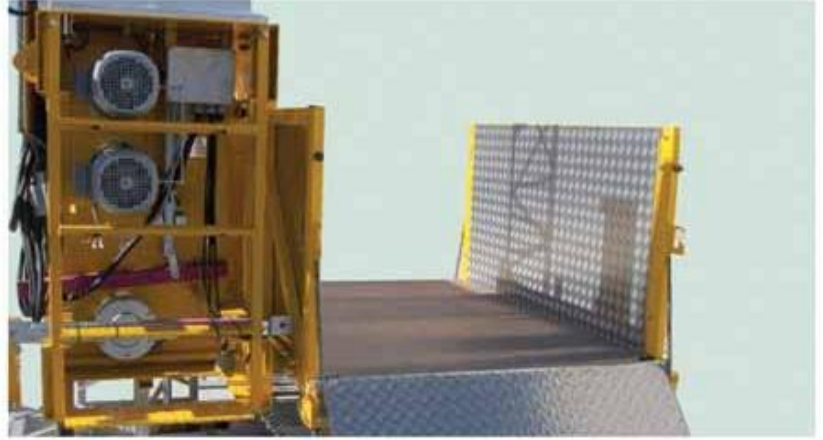
PH 10/H10



Triangular
Mast
Section

SAEclimber

Transport Platform
(Material Hoist)
PH 10/H10 (Triangular Mast)



Very easy and fiendly loading operation



Easy to convert into a masta climber
With a simple "CLICK - CLACK" Operation

General Data



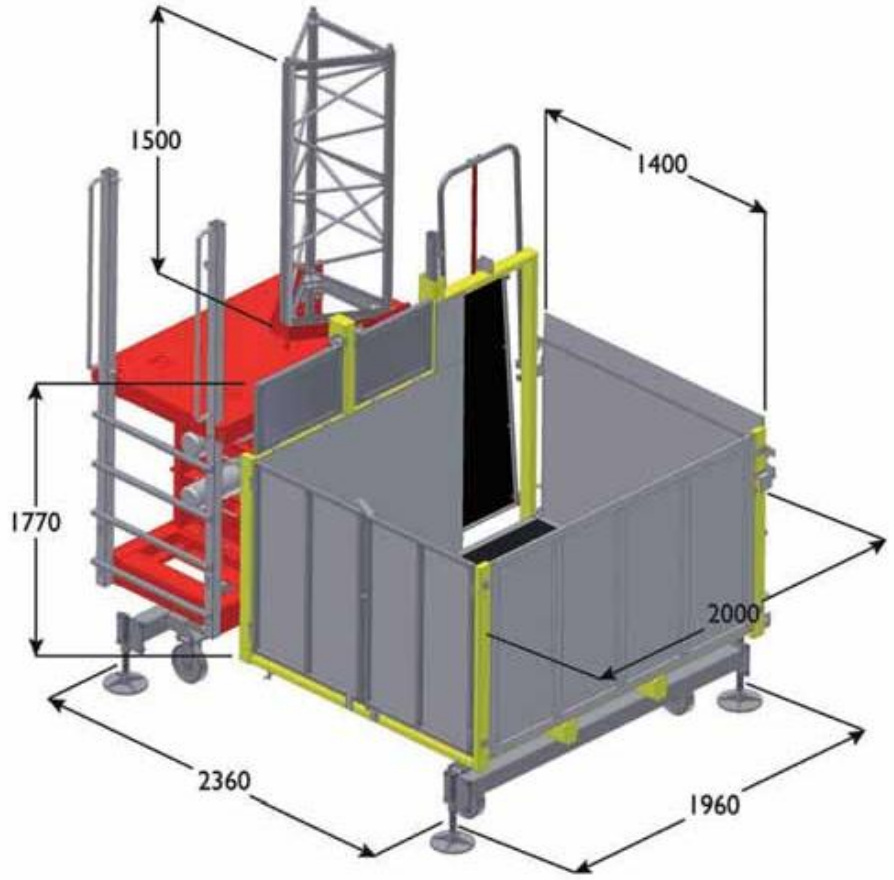
- Hot dip galvanised structural elements for a long duration.
- Safety Limit Switches for detection of mast presence.
- Safety Limit Switches for emergency brake, top and bottom controls and overrun.
- Ground enclosure with door's limit switches.
- Phase control and over charge electrical protection.
- Emergency centrifugal safety brake.
- Terminal mast section with interrupted rack to avoid cabin overrun.
- Electromechanical interlock of doors and ramps.
- Emergency stop push button.
- Manual descent device in emergency.
- Digital control of landing floor (Input of the floor number - Automatic cage floor landing).



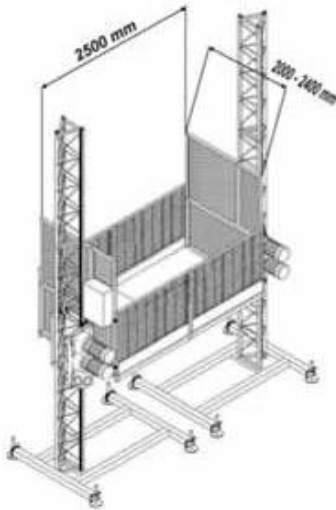
Triangular
Mast
Section

SAEclimber

Transport Platform
(Material Hoist)
PH 10/H10 (Triangular Mast)



Technical Data



- Max height (higher on request) 150 m(*)
- Max free standing height 6 m
- Wall ties distance 6 m
- Max payload 1000 Kg
- Cage dimensions 2 m L x 1.4 m W
- Elevation speed 12 m/min. (PH10) or 24 m/min. (H10)
- Max allowable wind speed in operation (with tower wall tied) 72 Km/h
- Max allowable wind speed during erection 45 Km/h
- Power supply 380 V - 50 Hz - 3 phase (*)
- Motors 2 x 4 Kw (PH10)
- Mast section weight 60 Kg
- Mast section height 1.5m

Version "Pladour" Twin Mast available

(*) Other values on request.

NOTE: SAE reserves the right to change any of the written specification without notice.



KASIRGA KULE VİNC
İNŞ. İŞ MAK. SAN. VE DİŞ TİC. LTD. ŞTİ.
İçmeler Mah. Yılmaz Sok. No:1 Eşiyok İş Merkezi 2
Kat: 4 Ofis:15 Tuzla / İstanbul
Tel: +90 216 507 25 32 - 33 Fax: +90 216 507 27 23
www.kasirgakulevinc.com www.discepheplatformu.com

